



MANTION POLSKA

WWW.MANTION.PL

Modi | ROC DESIGN

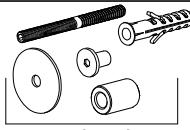
219-240, 219-241, 219-242, 219-243, 219-244
219-321, 219-331, 219-341, 219-351, 291-361



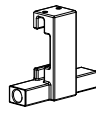
x1



x2



x4/x5/x6



x2



x2



St8x60

x2



x1



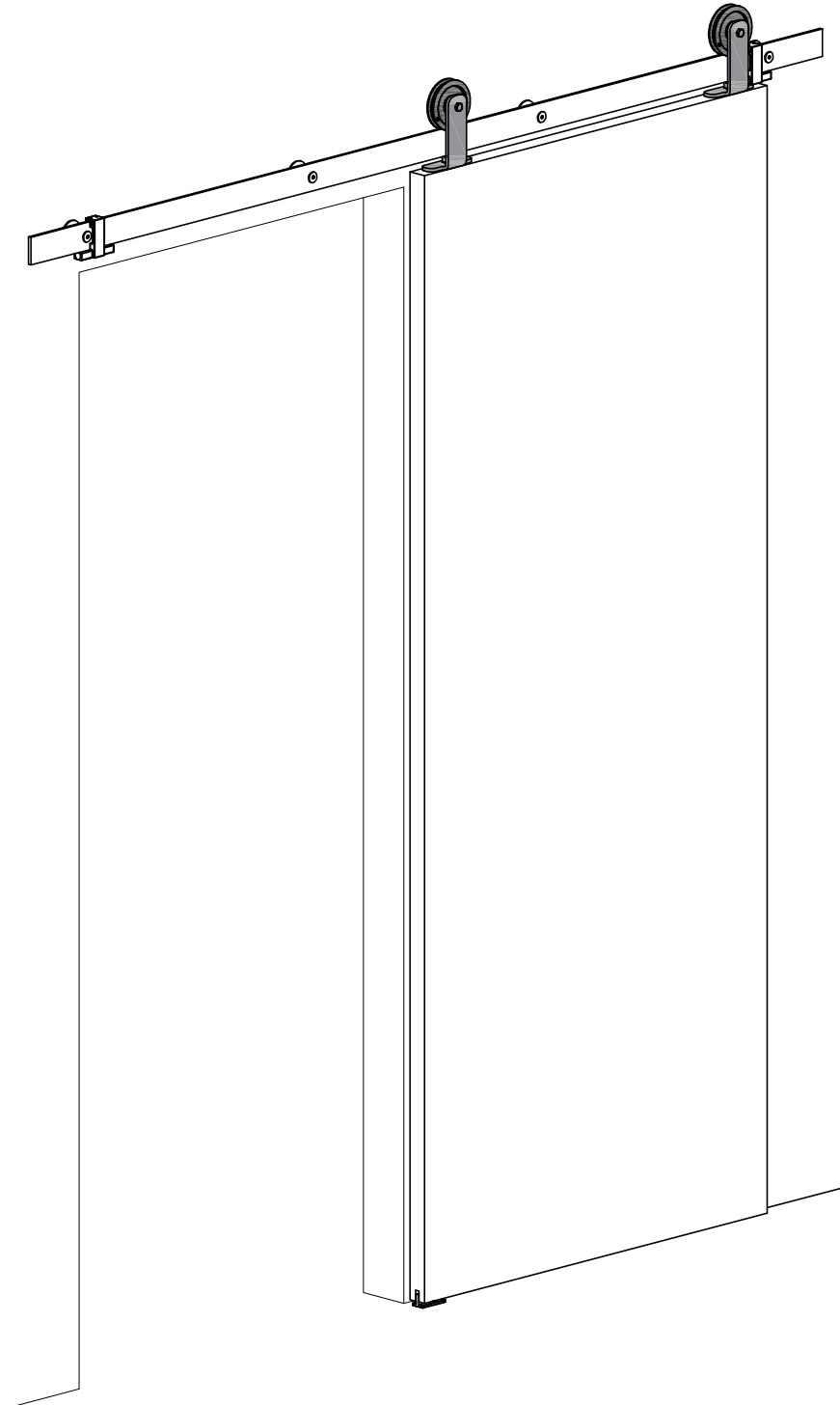
St4x40

Ø6x30

x2

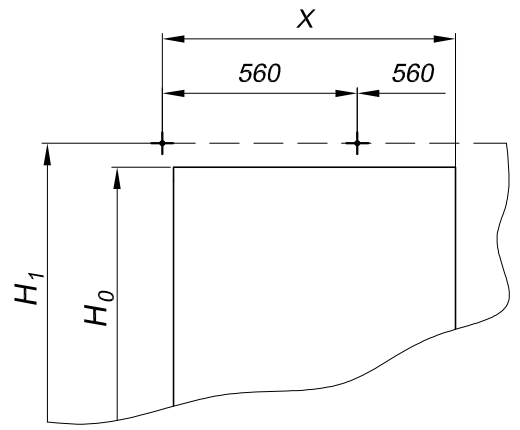
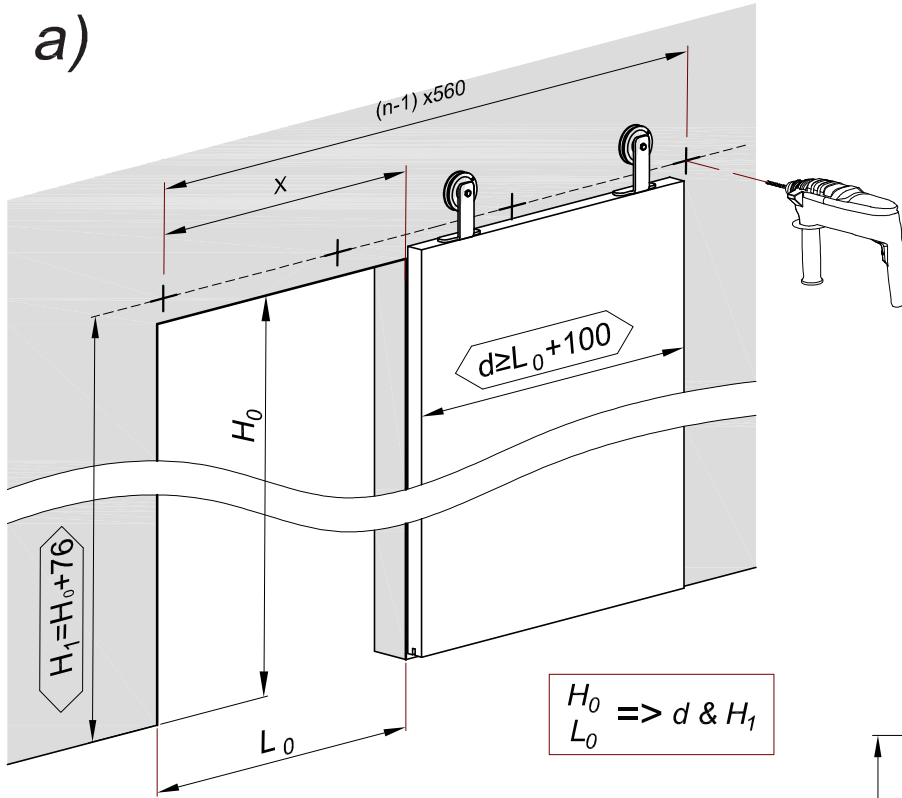


100
KG



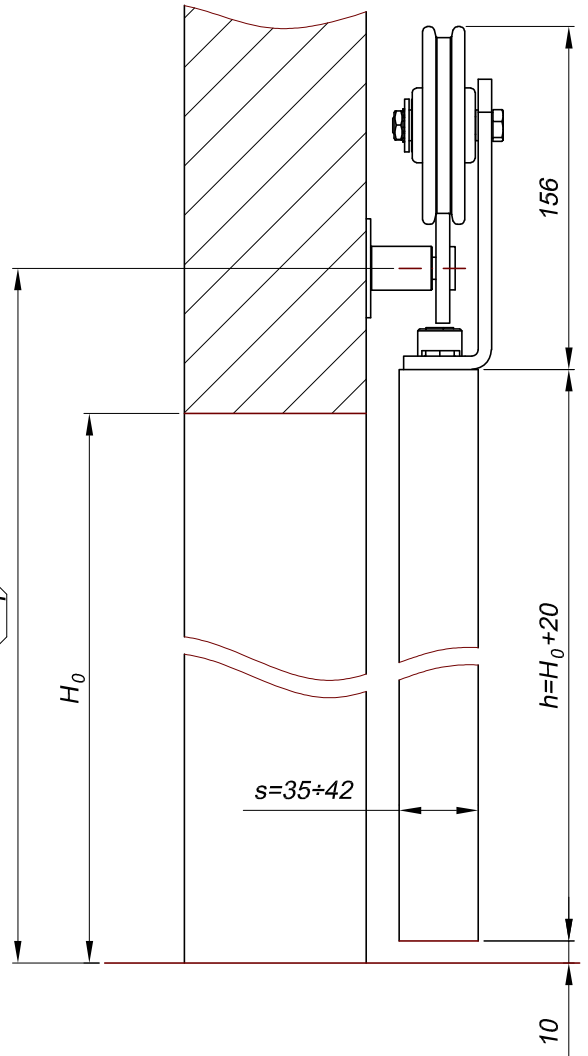
1

a)

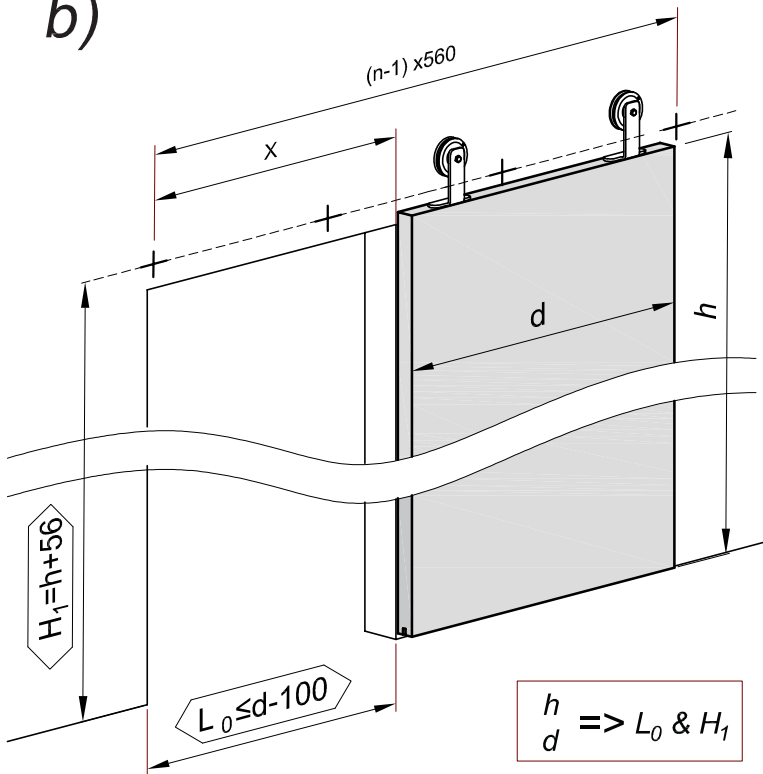


L_{Track} [mm]	1950	2400	3000
X [mm]	840	1120	1400
n [szt]	4	5	6

$H_0 \Rightarrow d \ \& \ H_1$
 L_0

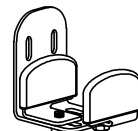
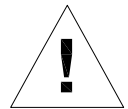


b)



$h \Rightarrow L_0 \ \& \ H_1$
 d

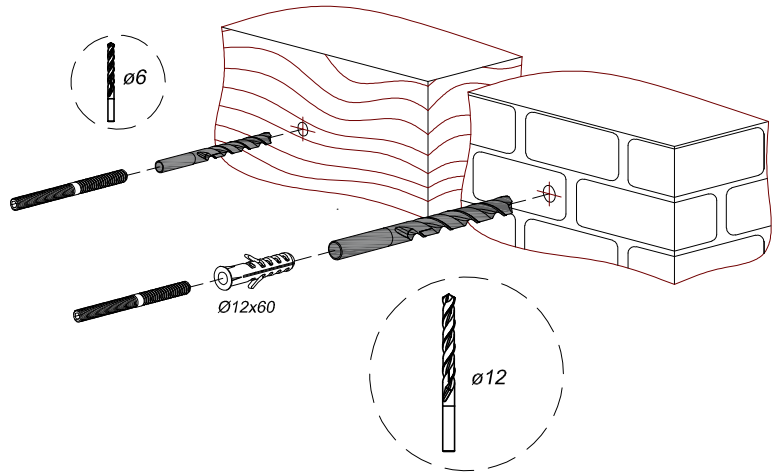
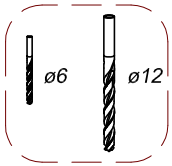
216-110
216-111



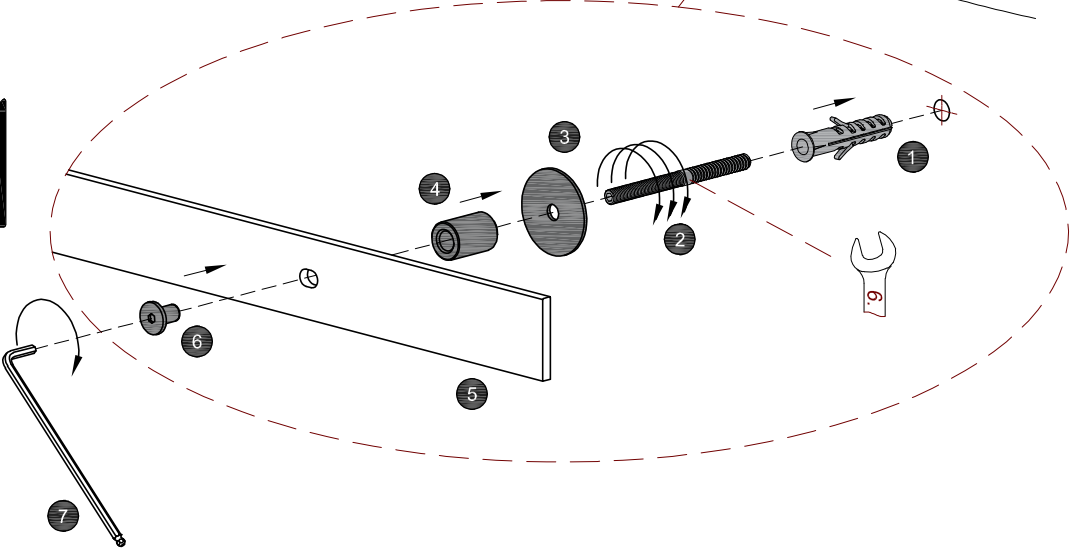
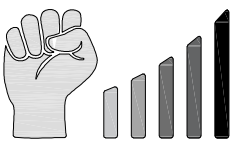
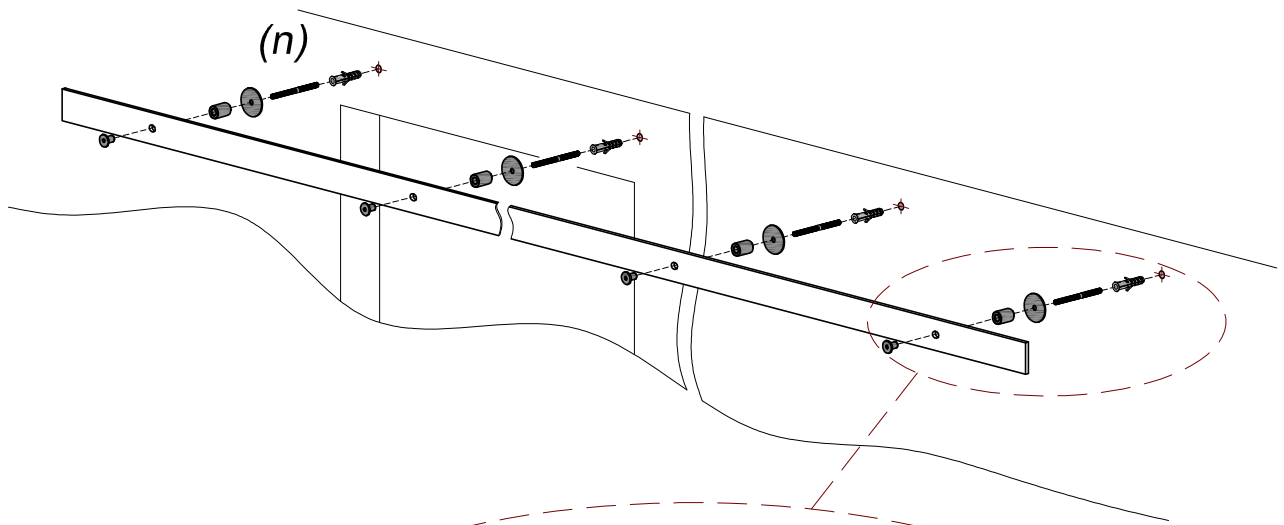
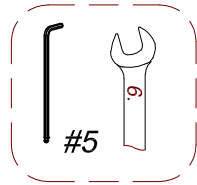
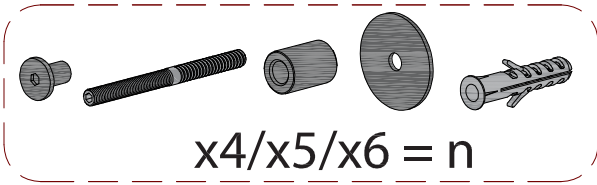
$H_1 = H_0 + 81$
 $H_1 = h + 61$



2



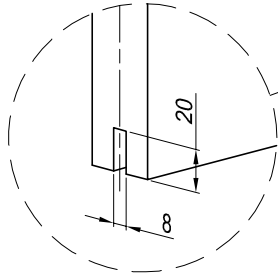
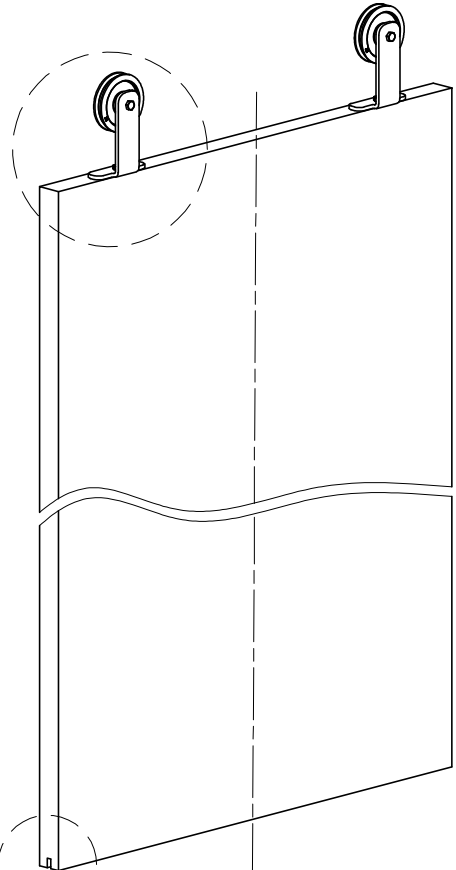
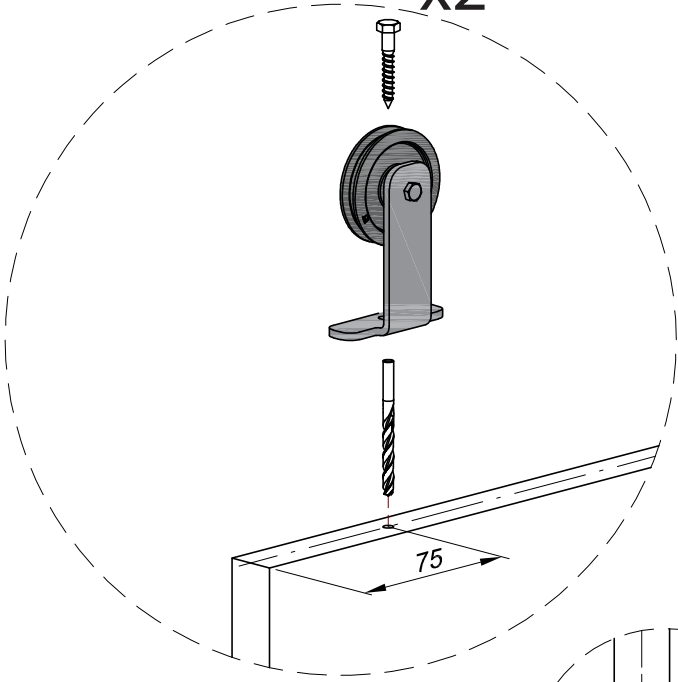
3



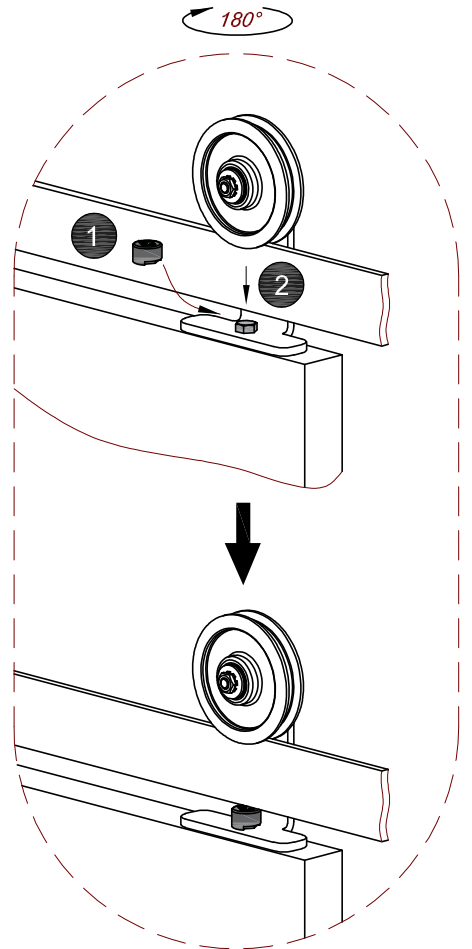
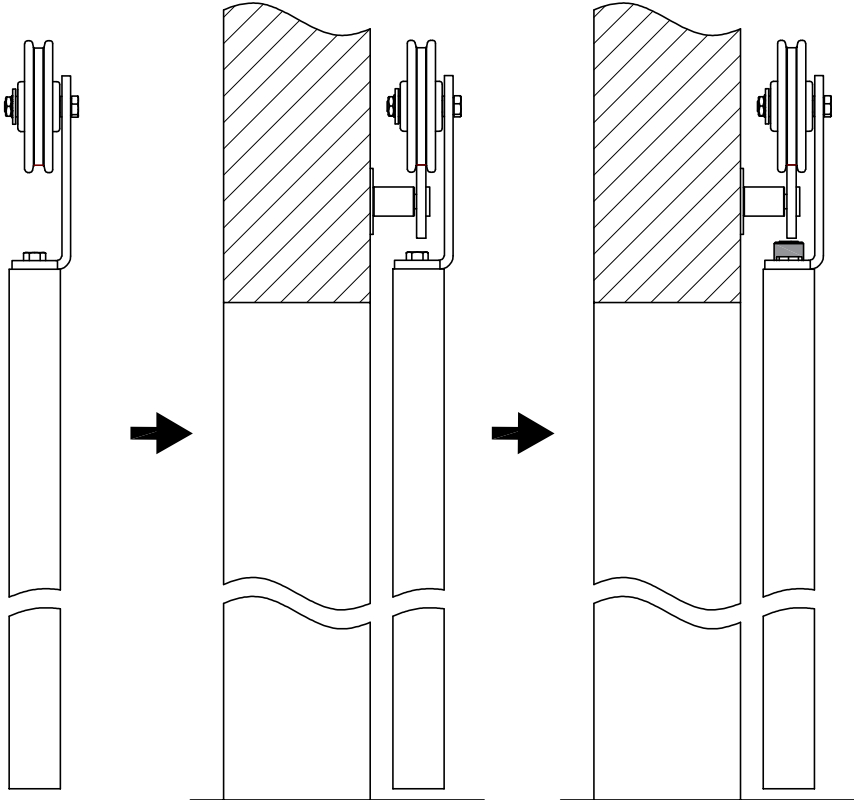
4



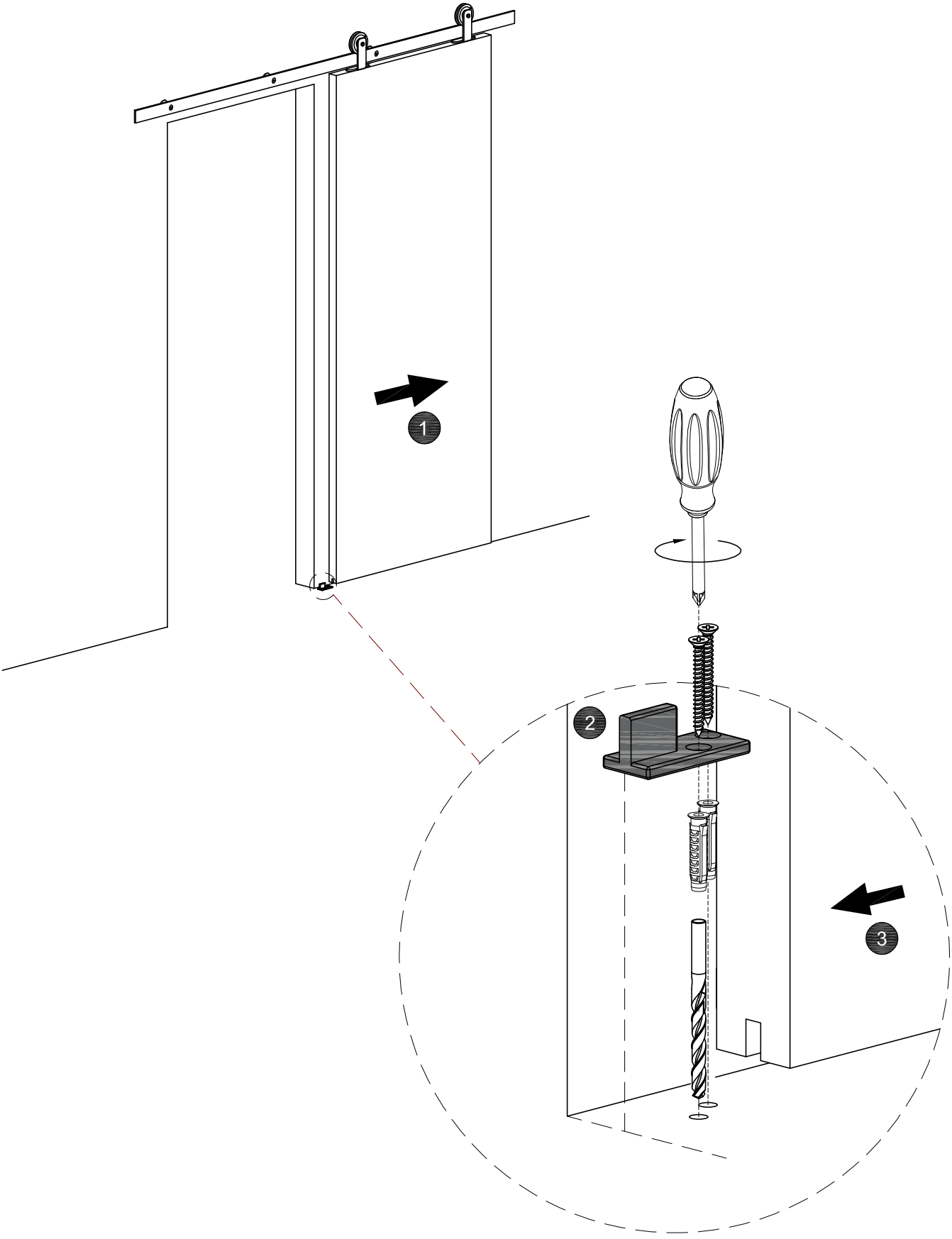
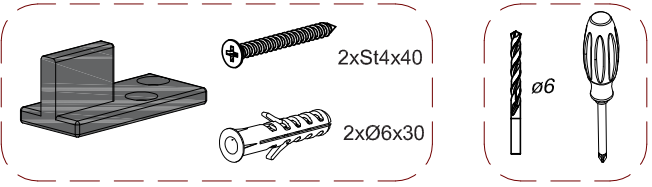
x2



5

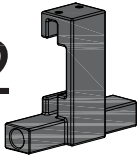


6

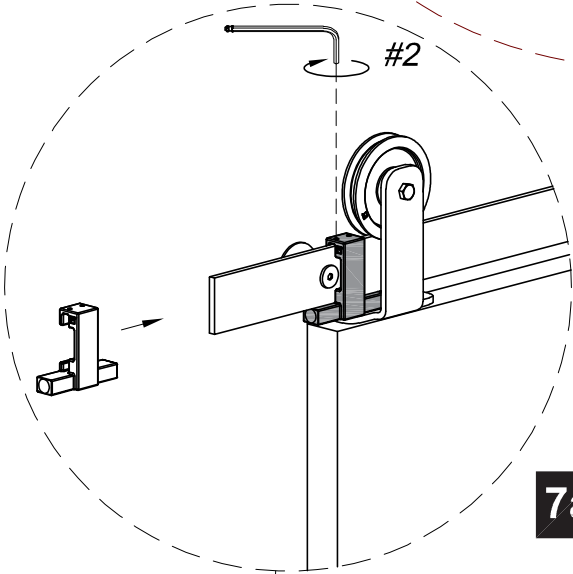
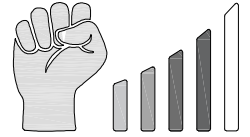
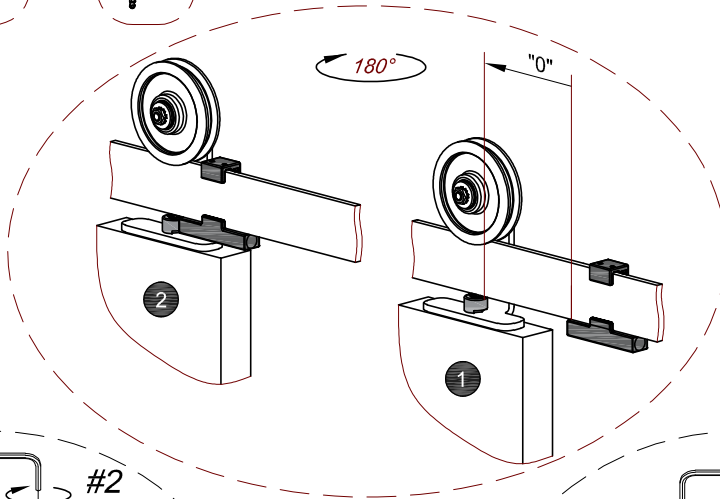
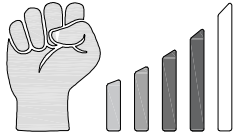


7

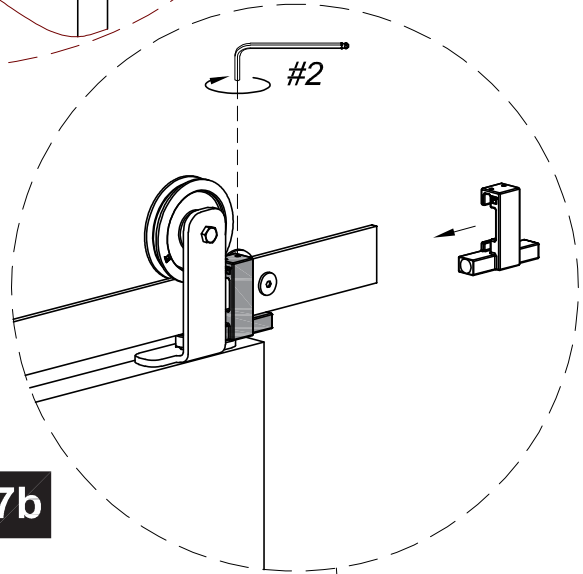
x2



#2



7a



7b

